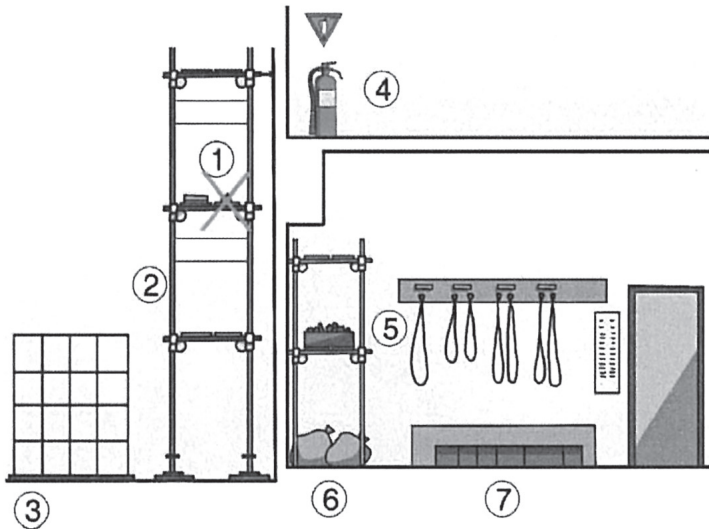


I – 2. Keeping things tidy and in order



1. Is scaffolding clear of loads or materials that may fall?
2. Is there a safe passageway?
3. Are materials placed parallel to the passageway?
4. Is the area in front of the fuse box and fire extinguisher clear of materials?
5. Are tools and equipment sorted by type?
6. Are unneeded materials properly sorted?
7. Have dangerous materials been removed?