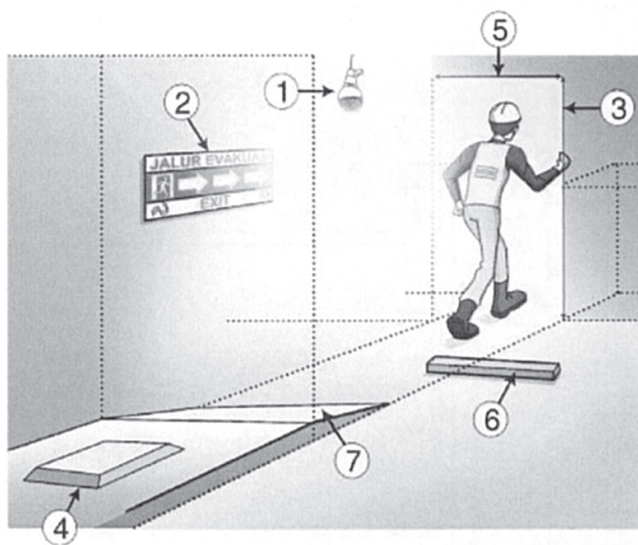


I – 3. Safe passageways



1. Is the lighting in place suitable for the workplace?
2. Are there safe passageways?
Are they marked clearly?
3. Are there any obstacles in the passageway between the floor and a height of 1.8 meters?
4. Have openings and protruding rebars, etc. been covered?
5. Are safe passageways wide enough?
6. Are safe passageways free of equipment?
7. Are safe passageways slip and stumble free?