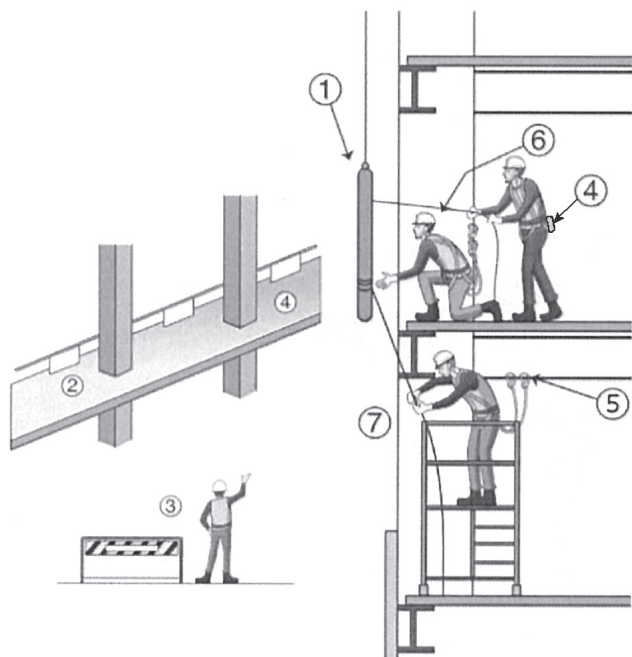


II – 14. Installing precast concrete exterior wall panels



1. Are precast concrete panel hooks in normal condition?
2. Have fall prevention measures been taken under the installation site?
3. Has a lookout been stationed?
Have barricades, rope, and Do Not Enter signs been put in place?
4. Do you have a toolbelt for small items?
Are lines attached to tools to prevent falling?
5. Are you using a safety belt?
6. Are you using guide ropes?
7. Did you reset the safety net after installing the precast concrete panel?