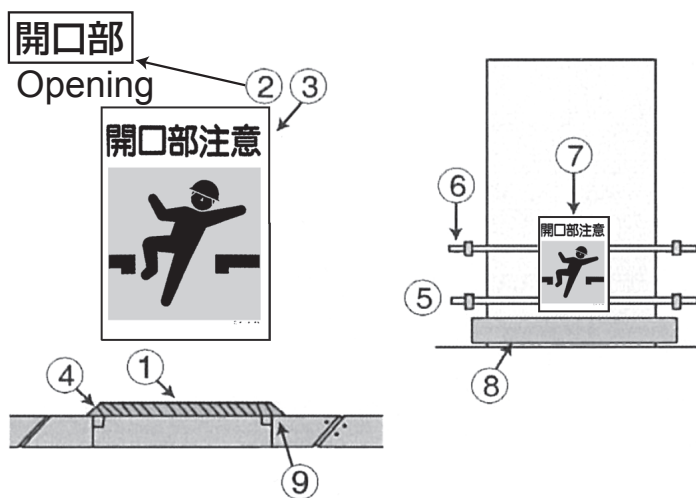


II – 2. Openings



1. Have strong, durable materials been used for the opening cover?
2. Is the opening cover marked with a warning?
3. When the cover is opened for use, is the opening enclosed with a barricade prohibiting entrance?
4. Is the cover constructed so as to prevent stumbling?
5. Is the guardrail strong enough?
6. Has a strong, sturdy handrail been installed?
7. Is there a sign on the handrail marking the opening?
8. Are toeboards installed?
9. Is the opening closed when not in use?